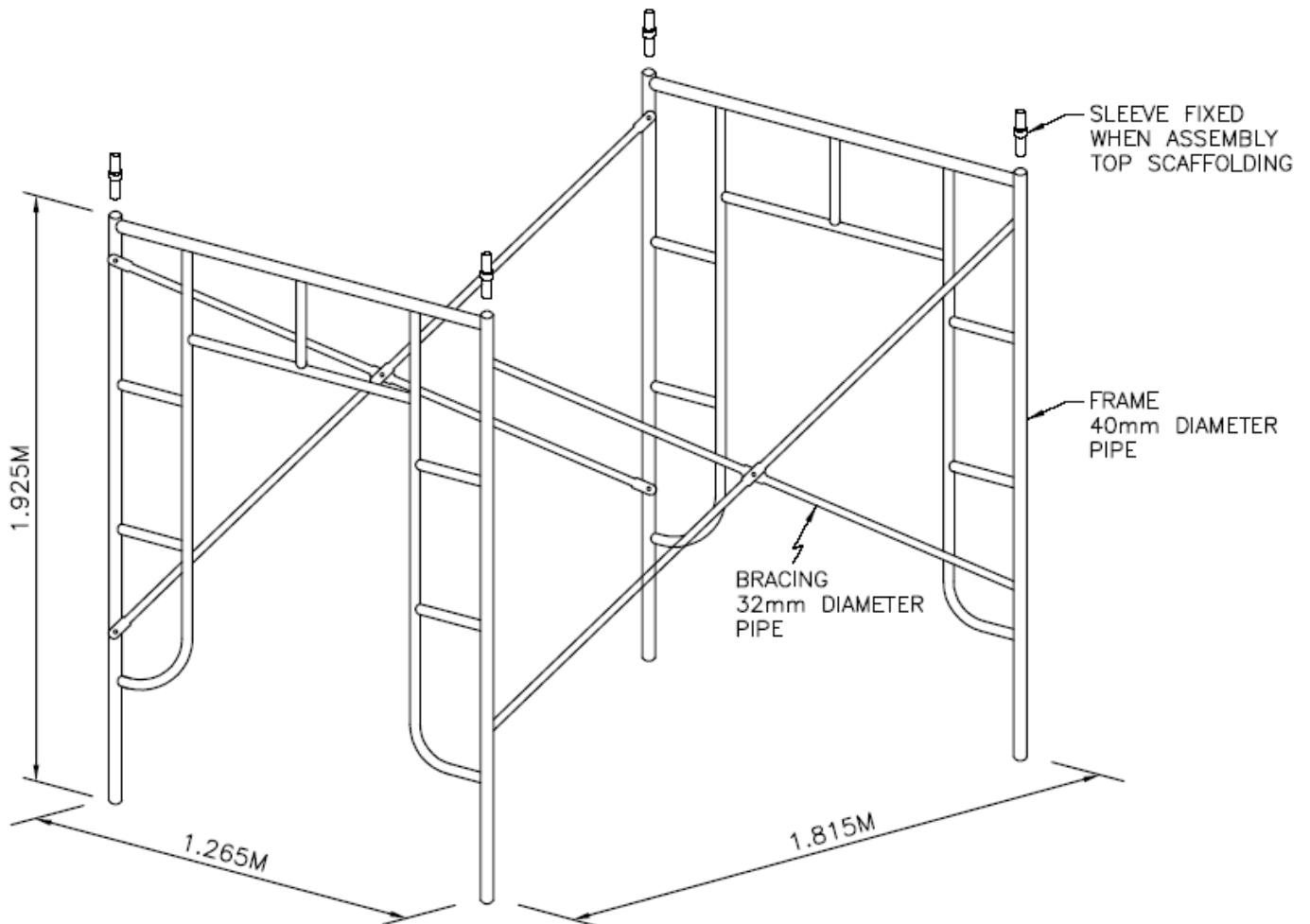


MULTISCAFF®

Scaffolding Equipment



Overall Size: 1.815M Long x 1.265M Width x 1.925M High

Construction: Made Out of Steel Pipe Frames and Vertical Bracings



STEEL STRUCTURES LTD

DANDORA RD. OFF OUTER RING RD

P.O. BOX 49862 - 00100 NAIROBI

TEL: 781479 / 87 / 89 FAX: 783550 / 783551

Email: info@steelstructureskenya.com

Website: www.steelstructureskenya.com